

# High purity pressure gauge (BA grade)

## Model: P830 series (316L type)

Spec. sheet no. PD08-03

### Service intended

P830 series are specially designed for the high purity gas distribution system used in a semiconductor, electronic, medical, biotechnology and pharmaceutical industry.



### Nominal diameter

35 (1½"), 50 (2") and 63 mm (2½")

### Accuracy

Grade A : 50 (2") and 63 mm (2½")

Grade B : 35 (1½"), 50 (2") and 63 mm (2½")

### Scale range

-0.1 ~ 0 to 0 ~ 28 MPa

### Working pressure

Steady pressure : 75 % of full scale value

Fluctuating pressure : 67 % of full scale value

### Working temperature

Ambient : -40 ~ 65 °C

Fluid : Max. 100 °C

### Temperature effect

Accuracy at temperature above and below the reference temperature (20 °C) will be effected by approximately  $\pm 0.4$  % per 10 °C of full scale



## Standard features

### Pressure connection

Type 316L SS

low mount or center back mount

BA grade of surface finish

- ¼" NPT male thread
- VCR® male or female face seal fitting

### Element

Type 316L SS

<6 MPa : C-type bourdon tube

≥6 MPa : Helical type bourdon tube

### Case

Type 304SS, Electropolished with pressure relief

### Cover and window

Twist-lock polycarbonate

### Movement

Stainless steel

### Dial

White aluminium with pointer stop pin

With black/red lettering, Dual pressure scale (bar/psi)

### Pointer

Black painted aluminium alloy

### Helium leak rate

Tested to confirm leakage rates of less than

$10^{-9}$  mbar • ℓ /sec

### Option

100 mm : P252 dimension

### Certificates

ATEX Ex II GD c IIC TX

**WISE**®

**1. Base model****P830** High purity gauge (316L type)**2. Nominal diameter**

- M** 35 mm (1½"), only available to center back mount  
**1** 50 mm (2")  
**2** 63 mm (2½")

**3. Type of mounting**

- A** Low mount (LM)  
**F** Center back mount (CBM)  
**I** Center back connection, flush, case center mounting plate with bracket, only available with diameter 50 mm

**4. Accuracy**

- 3** Grade A  
**4** Grade B

**5. Connection type**

- CD** ¼" NPT (Male)  
**SF** Swivel female face seal  
**SM** Swivel male face seal  
**TF** Tube fitting  
**TW** Tube welding

**6. Unit**

- H** bar  
**I** MPa

**7. Range****XXX** Refer to pressure range table**8. Pressure connection material and dial color**

- 4** 316L SS and 2 colors  
**8** 316L SS and 3 colors

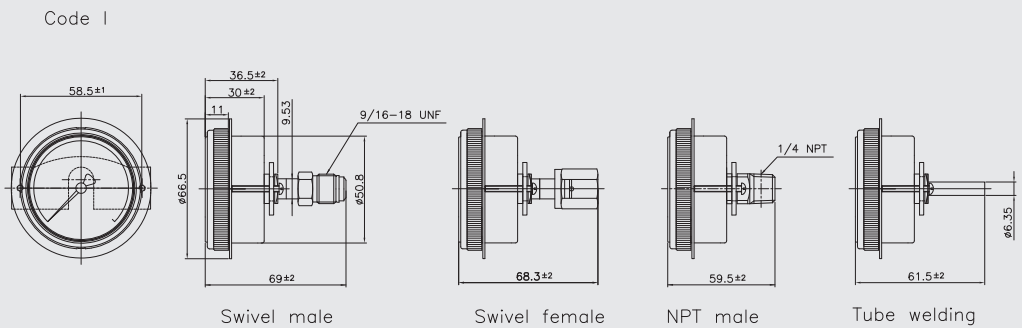
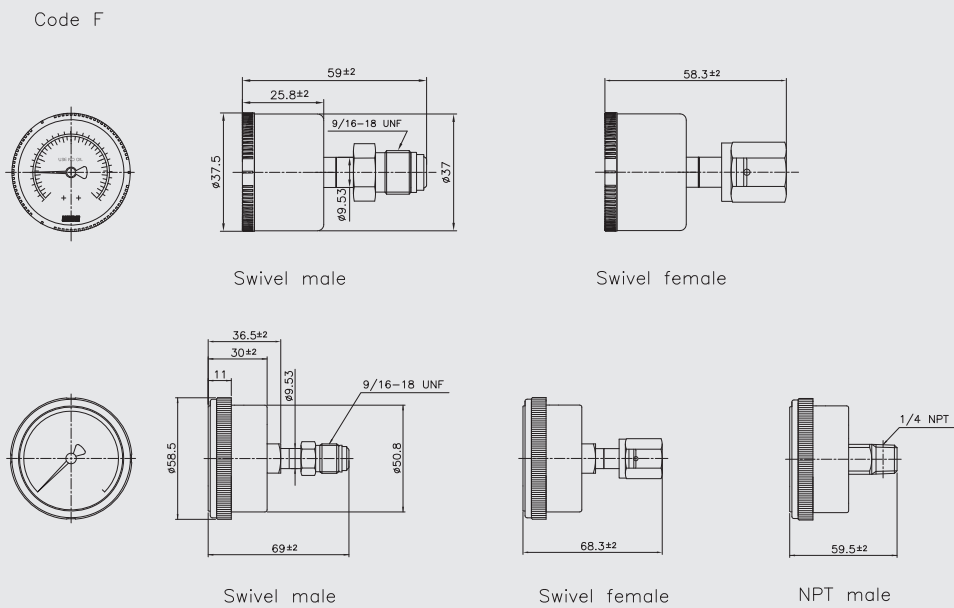
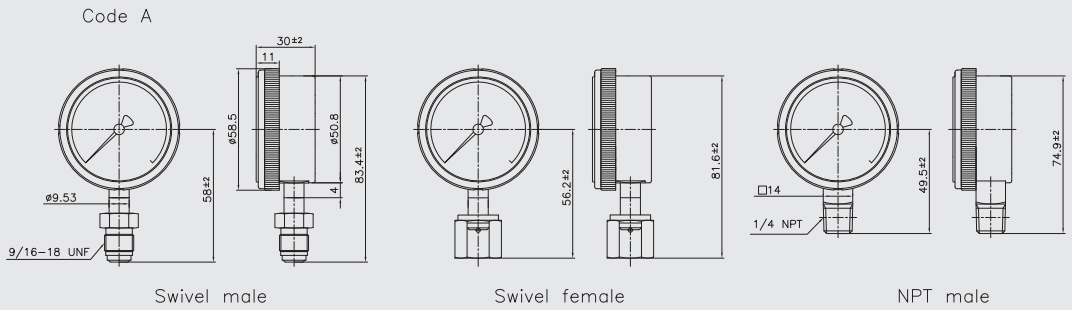
**9. Options**

- 0** None  
**1** Accessories

1	2	3	4	5	6	7	8	9
P830	1	A	3	CD	H	XXX	4	0

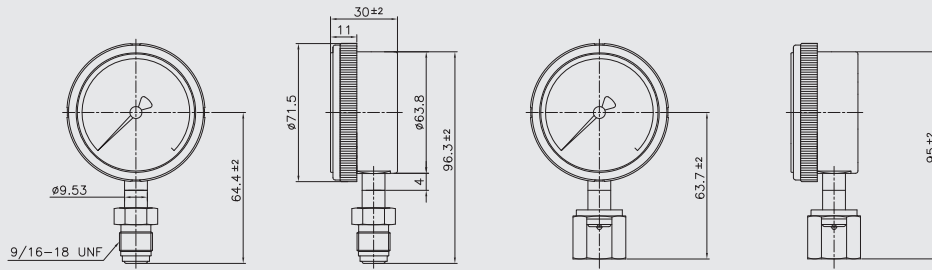
Sample  
ordering code

## P830 : Type of mounting (1/2)



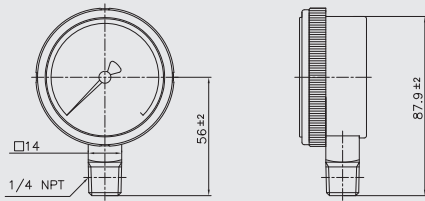
## P830 : Type of mounting (2/2)

Code A



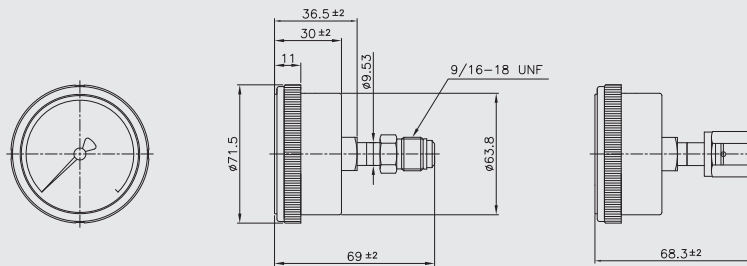
Swivel male

Swivel female



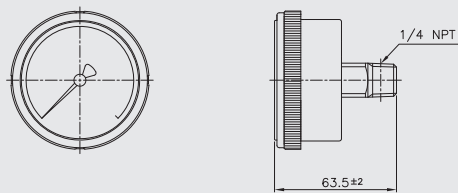
NPT male

Code F



Swivel male

Swivel female



NPT male

## Range table

Range and code	Unit and code		Nominal diameter		
	H : bar	I : MPa	35 mm	50 mm	63 mm
026	-1 ~ 0	-0.1 ~ 0	X	X	O
041	0 ~ 1	0 ~ 0.1	X	X	O
133	0 ~ 1.6	0 ~ 0.16	X	X	O
042	0 ~ 2	0 ~ 0.2	O	O	O
134	0 ~ 2.5	0 ~ 0.25	X	X	O
043	0 ~ 3	0 ~ 0.3	X	O	O
044	0 ~ 4	0 ~ 0.4	O	O	O
045	0 ~ 6	0 ~ 0.6	O	O	O
047	0 ~ 10	0 ~ 1	O	O	O
050	0 ~ 15	0 ~ 1.5	O	O	O
143	0 ~ 16	0 ~ 1.6	X	O	O
051	0 ~ 20	0 ~ 2	X	O	O
052	0 ~ 25	0 ~ 2.5	O	O	O
054	0 ~ 35	0 ~ 3.5	O	O	O
151	0 ~ 40	0 ~ 4	X	O	O
055	0 ~ 50	0 ~ 5	X	O	O
056	0 ~ 60	0 ~ 6	X	O	O
057	0 ~ 70	0 ~ 7	X	O	O
058	0 ~ 100	0 ~ 10	X	O	O
059	0 ~ 150	0 ~ 15	X	O	O
060	0 ~ 160	0 ~ 16	X	O	O
062	0 ~ 250	0 ~ 25	X	O	O
027	-1 ~ 1	-0.1 ~ 0.1	X	O	O
127	-1 ~ 1.6	-0.1 ~ 0.16	X	X	O
028	-1 ~ 2	-0.1 ~ 0.2	X	O	O
029	-1 ~ 3	-0.1 ~ 0.3	X	O	O
030	-1 ~ 4	-0.1 ~ 0.4	X	O	O
010	-1 ~ 5	-0.1 ~ 0.5	X	O	O
031	-1 ~ 6	-0.1 ~ 0.6	X	O	O
014	-1 ~ 9	-0.1 ~ 0.9	X	O	O
032	-1 ~ 10	-0.1 ~ 1	X	O	O
033	-1 ~ 15	-0.1 ~ 1.5	X	O	O
034	-1 ~ 20	-0.1 ~ 2	X	O	O
035	-1 ~ 25	-0.1 ~ 2.5	X	X	O

O : Available X : Not available

A large, empty rectangular box with a thin black border, intended for writing a memo.